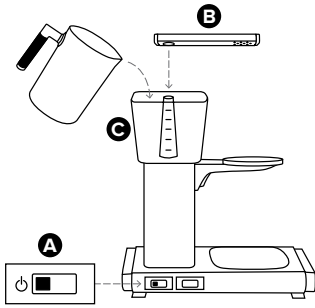


KB

1.25L / 40 oz. / 10 cups

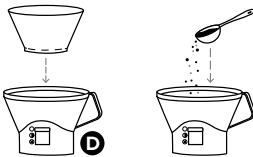


Step 1.

Set **Power Switch** to OFF (A)

Attach **9-Hole Outlet Arm** (B)

Fill **Cool Water Reservoir** (C) with fresh, cool water

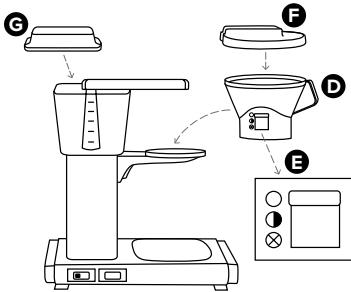


Step 2.

Place a **No. 4 filter** in **Brew Basket** (D)

Rinse filter with water

Add coffee (refer to the formula under "Water-to-Coffee Ratio")



Step 3.

Set **Adjustable Drip-Stop** (E)

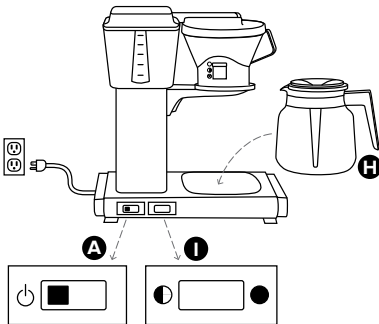
○ to brew 8 to 10 cups

● to brew 4 to 6 cups

Place **Brew Basket** in position (D)

Place **Brew Basket Lid** (F)

Place **Cool Water Reservoir Lid** (G)



Step 4.

Slide **Glass Carafe** (H) onto hot plate

Set **Hot Plate Switch** (I)

● Low for a temp about 175°F

● High for a temp about 185°F

Plug into grounded outlet and turn

Power Switch to ON (A)

Pour yourself a great cup of coffee in about 4 to 6 minutes!



ATTENTION

- Outlet Arm is **HOT** while brewing
- Auto-Off Power Switch will switch OFF after 100 minutes.
- Turn off power if carafe is emptied before 100 minutes.
- Always ensure Adjustable Drip-Stop is set to ● or ● before starting to brew.