

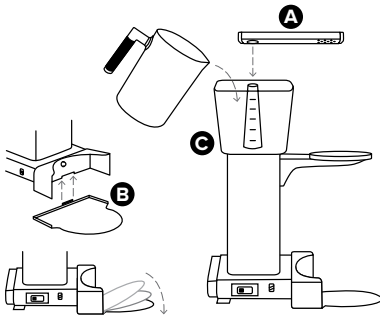
# KBT

1.25L / 40 oz. / 10 cups

# &

# KBTS

1L / 32 oz. / 8 cups

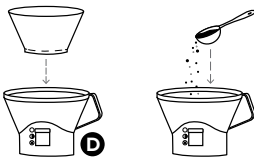


## Step 1.

Set **Power Switch** to OFF (A)

Attach **9-Hole Outlet Arm** (B)

Fill **Cool Water Reservoir** (C) with fresh, cool water

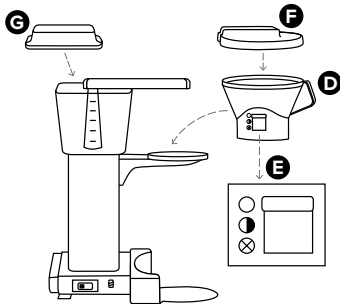


## Step 2.

Place a **No. 4 filter** in **Brew Basket** (D)

Rinse filter with water

Add coffee (refer to the formula under "Water-to-Coffee Ratio")



## Step 3.

Set **Adjustable Drip-Stop** (E)

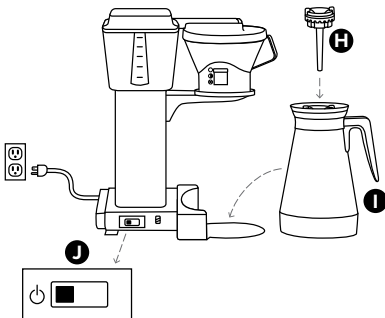
○ to brew 8 to 10 cups

● to brew 4 to 6 cups

Place **Brew Basket** in position (D)

Place **Brew Basket Lid** (F)

Place **Cool Water Reservoir Lid** (G)



## Step 4.

Screw **Brew-Thru Lid** (H) into

**Thermal Carafe** (I)

Slide **Thermal Carafe** (I) into position, pressing it firmly against white button

Plug into grounded outlet and turn

**Power Switch** to ON (J)

**Pour yourself a great cup of coffee in about 4 to 6 minutes!**



## ATTENTION

- Outlet Arm is **HOT** while brewing
- Light on power switch will remain illuminated after brewing is complete; however, the boiling element turns off as soon as the water reservoir is empty.
- If intending to hold coffee in carafe for longer than an hour, switch to the Travel Lid for best results.